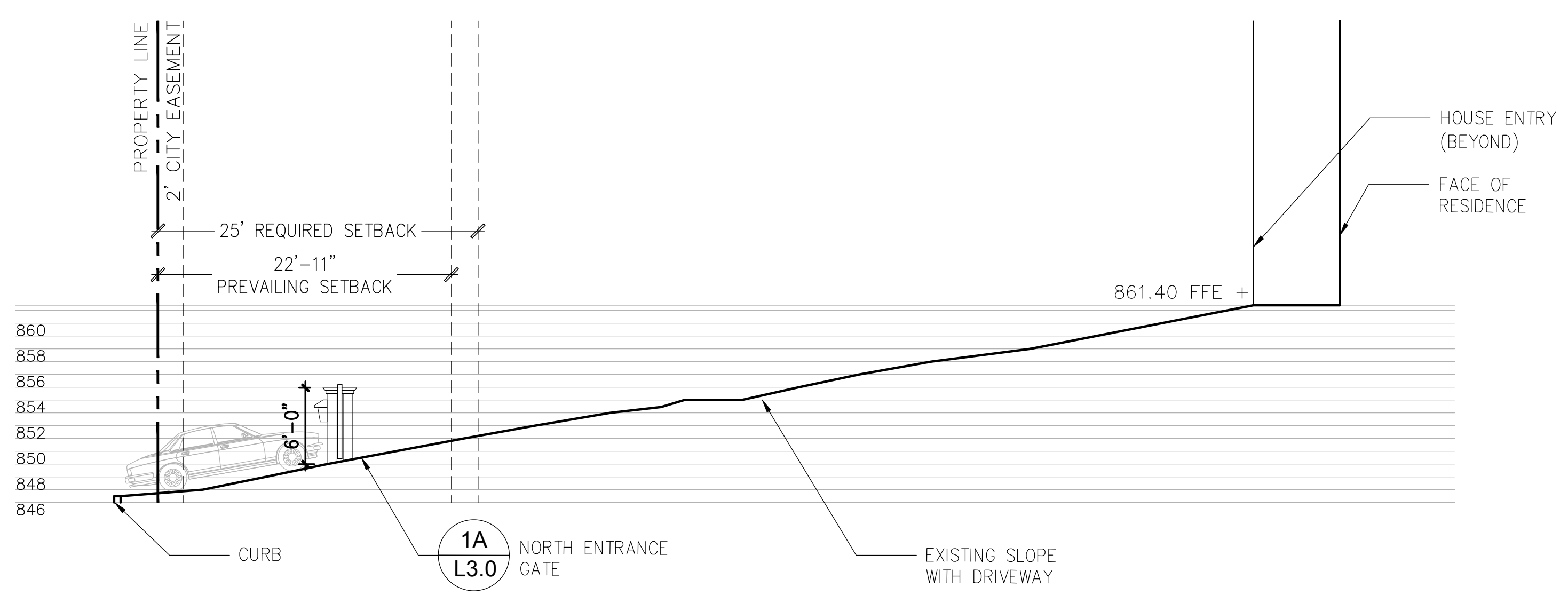


**1 FRONT ENTRY DRIVEWAY**  
ELEVATION SCALE: 1/8" = 1'-0"



**2 NORTH ENTRANCE GATE**  
SECTION SCALE: 1/8" = 1'-0"

Consultant

Stamp



Project

Revisions

|  |  |
|--|--|
|  |  |
|  |  |
|  |  |
|  |  |
|  |  |
|  |  |
|  |  |
|  |  |
|  |  |
|  |  |

Issue PERMIT  
Date 02.15.2018  
Project KIRCHNER  
By MT  
Scale AS SHOWN  
Sheet

**GATE VARIANCE**

**L2.0**

Consultant

Stamp



KIRCHNER RESIDENCE  
3925 ARCHDALE ROAD  
ENCINO, CA 91436

Project

Revisions

|  |
|--|
|  |
|  |
|  |
|  |
|  |
|  |
|  |
|  |
|  |
|  |
|  |

Issue PERMIT  
Date 02.15.2018  
Project KIRCHNER  
By MT  
Scale AS SHOWN  
Sheet

GATE  
VARIANCE

L3.0

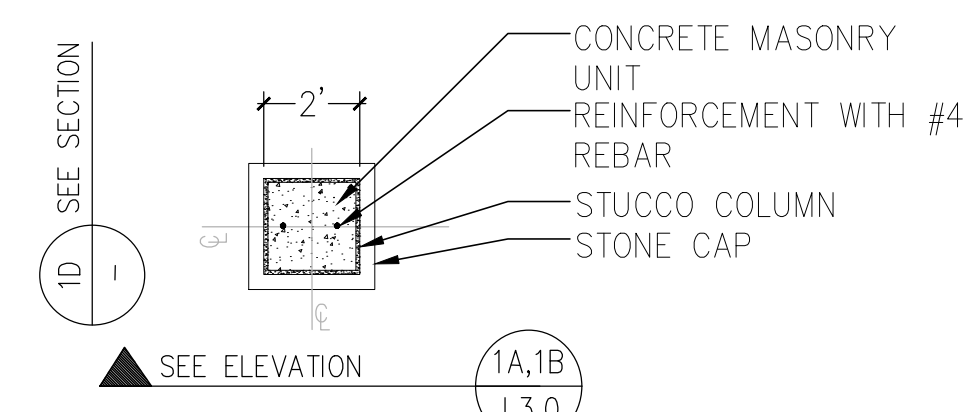
1

FENCE & GATES

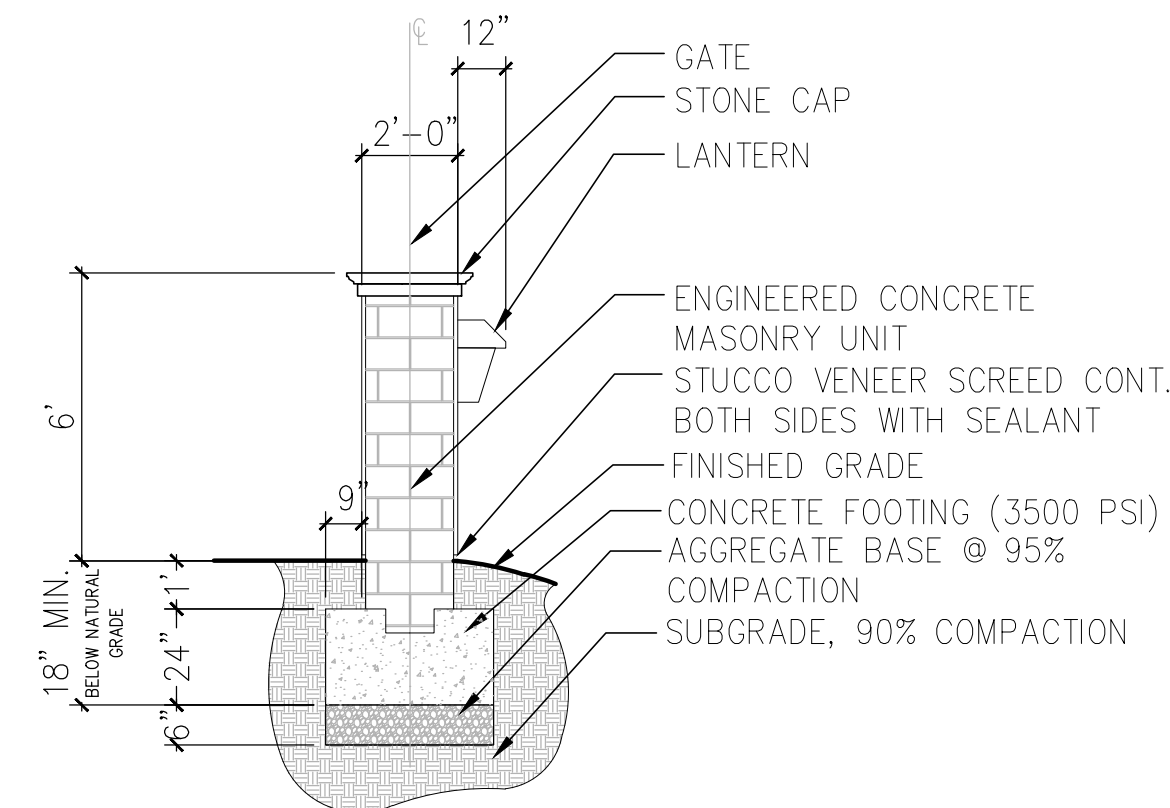
AS SHOWN

SCALE: 1/4" = 1'-0"

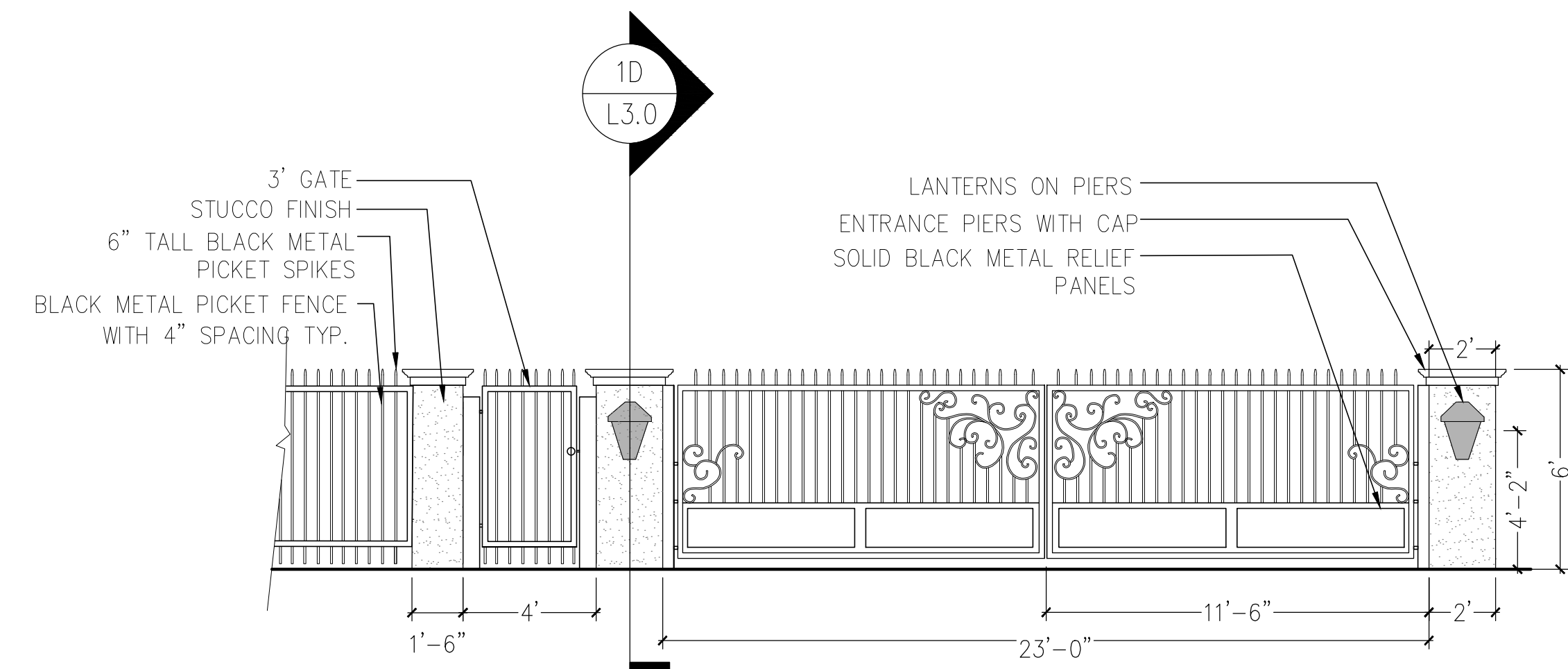
1C COLUMN PLAN



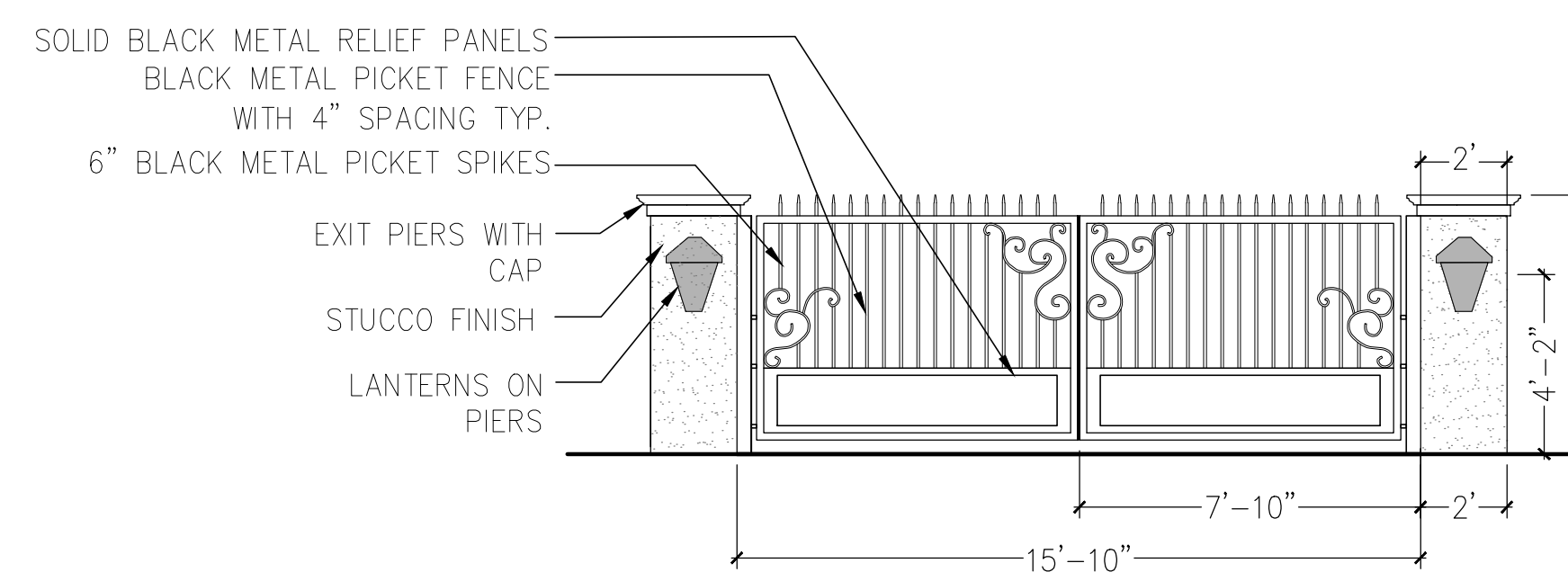
1D COLUMN SECTION



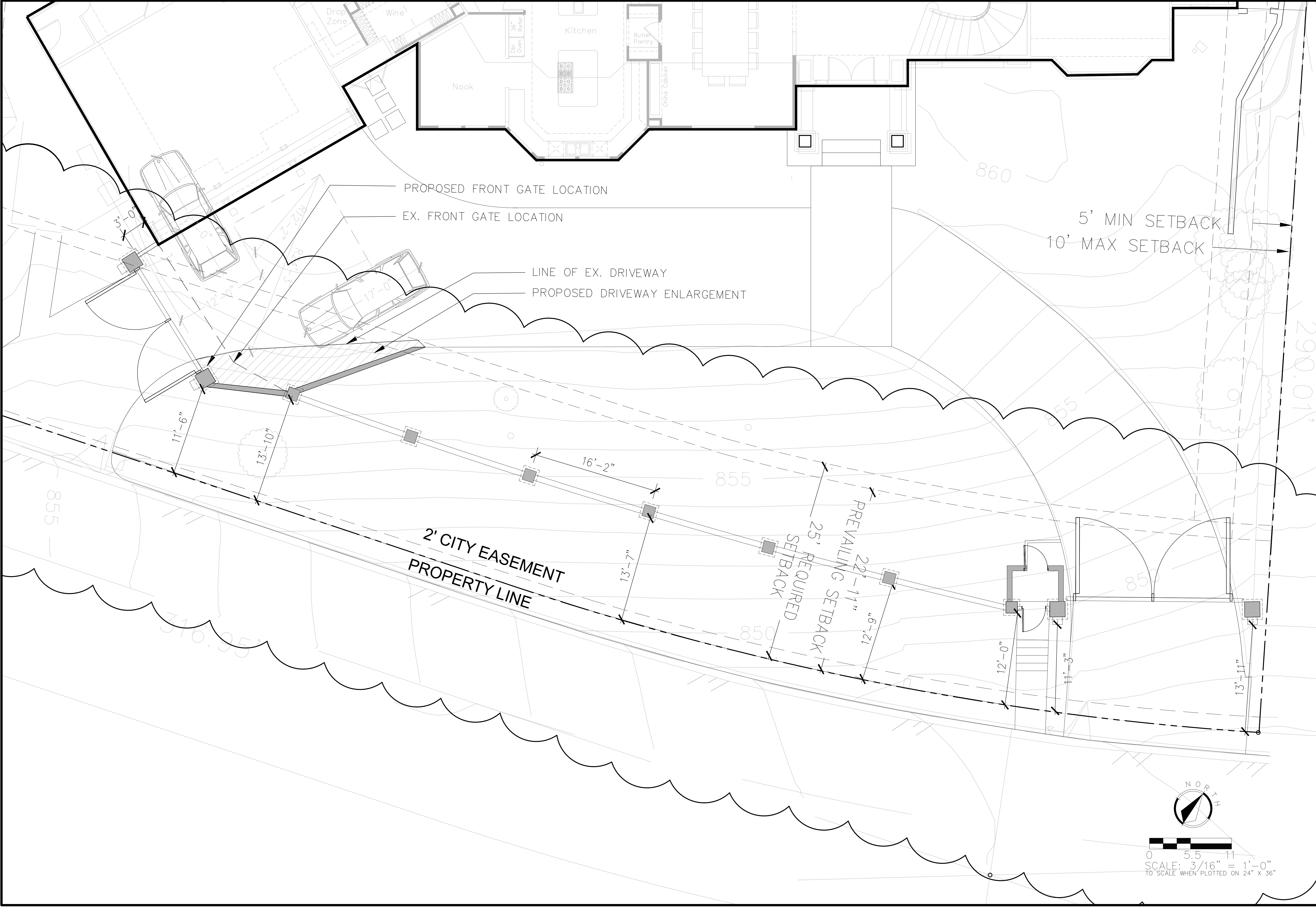
1A NORTH ENTRANCE GATE ELEVATION



1B SOUTH EXIT GATE ELEVATION







Consultant

Stamp

KIRCHNER RESIDENCE  
 3925 ARCHDALE ROAD  
 ENCINO, CA 91436

Project

| Revisions |  |
|-----------|--|
|           |  |
|           |  |
|           |  |
|           |  |
|           |  |
|           |  |
|           |  |
|           |  |
|           |  |

Issue SCHEMATIC  
 Date 02.15.2018  
 Project KIRCHNER  
 By AS  
 Scale 3/16" = 1'-0"

Sheet  
 PARKING STUDY

